

Temperature Gauges / Combined Gauges / Ø 100 mm.

CONSTRUCTIVE PROPERTIES

	STANDARD	OPTIONAL
Mounting Type	Bottom Connection	-
Scale Unit	°C bar	°F psi mWs
Scale Range (PN)	0/1,6 0/2,5 0/4 0/6 0/10 0/16 0/25 0/40 0/60	
Scale Range (T)	0 / +120 °C	-
Case	Steel (Black Enamelled)	-
Bezel	Steel (Black Enamelled)	-
Window	Acrylic	-
Wetted Parts	Copper Alloy	-
Connection	G 1/2" B	-
Dial	Aluminum	-
Pointer	Plastic	-
Welding	Soldering	-
Temperature Element	Bi-metal	-

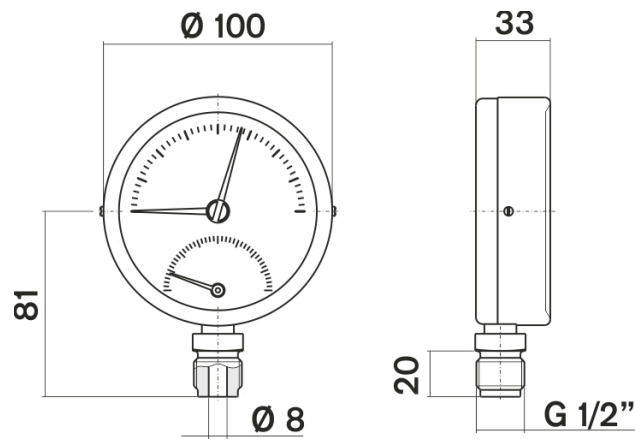


10070001.
Bottom Connection

USAGE PROPERTIES

Fluid Temperature	Maximum + 120 °C	-
Operating Pressure (max.)	Must not exceed %75' of full scale.	
Protection Rate	IP 41	-
Optimum Operating Range	Between 0,1 x PN and 0,75 x PN	
Storage Temperature	-40 ... +70 °C	-
Accuracy Class (P)	CL 2,5	-
Accuracy Class (T)	CL 2,0	-

Temperature Gauges / Combined Gauges / Ø 100 mm.



Model No: 100 70001

Bottom Connection

www.Laheghi.com